

## 1. Application 用途

- ◆ Automotive DC-DC

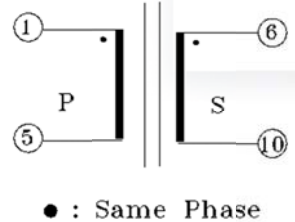
## 2. Features 特性

- ◆ Hi-Pot:2000VDC
- ◆ Basic insulation comply with IEC 60664,IEC62368,AEC-Q200
- ◆ ROHS、Reach Compliant
- ◆ Operating Temperature Range: -40℃ to +125℃

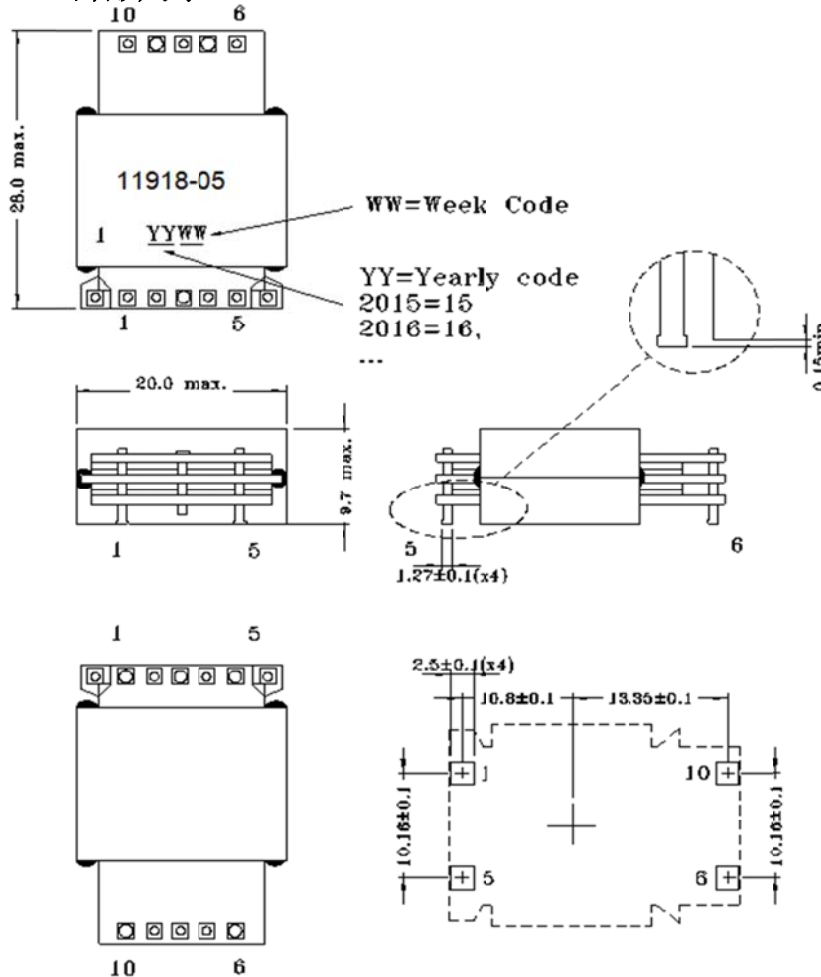
## 3. Picture 图片



## 4. Schematic 原理图



## 5. Dimension (Unit: mm) 外形尺寸



## 6. Electrical Characteristics 电气特性

Electrical Specifications@25℃								
Part NO.	Output power(W)	Inductance(uH) 100KHz,1V	Lk(uH)MAX 100KHz,1V	Turns Ratio 20KHz,1V	DCR (mΩ MAX)			HI-POT 2mA/6S
S14036A-0	67	2~1	2~1	1-5:6-10	1~5	6~10	/	PRI-SEC
		85	0.5	1:2	7.5	62	/	2000 VDC